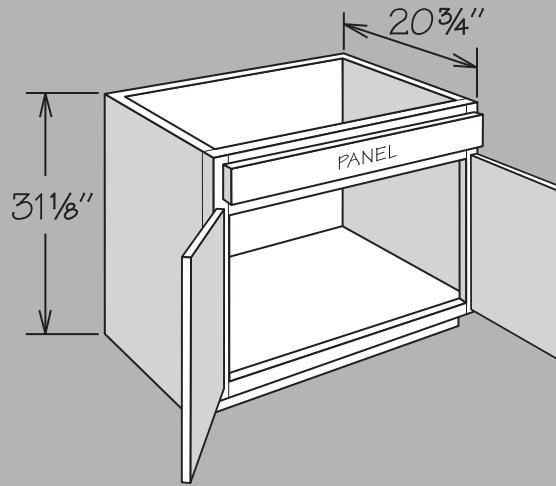


# Vanity Cabinets



## Dimensions

Width	Height	Depth
12" to 60"	31 1/8" to 84"	18" to 20 3/4" (Reduced Depth optional on select cabinets)

## SKU Coding

VSB	36	BUTT
Cabinet Type (e.g., VSB=Vanity Sink Base)	Width in Inches	Door Type

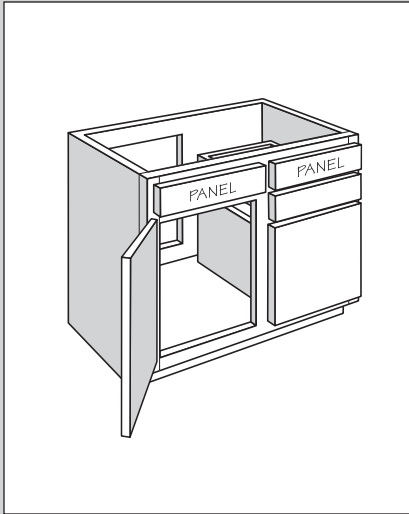
## Construction Options & Modifications

APC	All Plywood Construction
CFO	Cabinet Front Only
FE	Furniture Ends
MI	Matching Interior
PE	Plywood Ends
RD	Reduced Depth
RTK	Recessed Toe Kick

## Specialty Door (SD) Cabinet Options

AFBA	Aluminum Frame - Brushed Aluminum
AFVI	Aluminum Frame - Vintage Iron
HFD	Horizontal Frame Door
MFD	Mullion Frame Door
OFD	Open Frame Door
PFD	Prairie Frame Door

**31 1/8" Standard Height  
Vanity Cabinets**



Standard Height Vanity cabinets are 31 1/8" high, 12" to 60" wide and 18" or 20 3/4" deep.

Single door Standard Height Vanity cabinets are hinged left and can be reversed in the field.

Inset toe kick construction requires BTK8 matching toe kick - must be ordered separately.

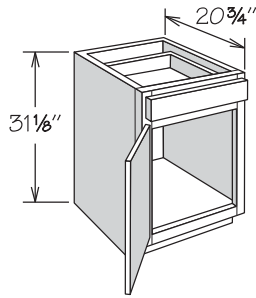


Refer to sink manufacturer's specifications for adequate clearance and required installation materials.

When placing a Standard Height Vanity Sink Base cabinet in a design, select a cabinet at least 3" wider than the sink to allow for installation clips. Review manufacturer's specifications for dimensions and adequate clearance requirements.

**Vanity Base**

1 Door, 1 Drawer • 31 1/8" High



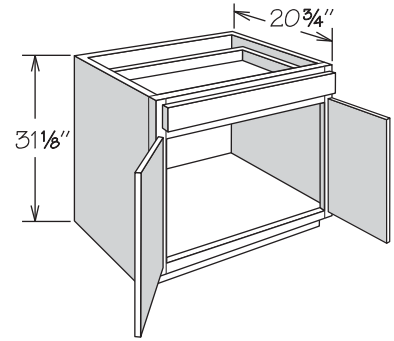
VB12  
VB15  
VB18  
VB21

APC
CFO
FE
PE
RD
RTK

- No shelf
- Not drilled for adjustable shelf

**Vanity Base**

2 Butt Doors, 1 Drawer • 31 1/8" High



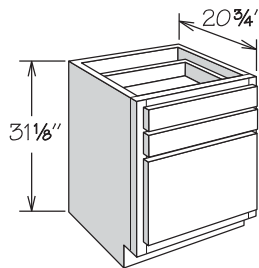
VB24 BUTT  
VB27 BUTT  
VB30 BUTT  
VB33 BUTT  
VB36 BUTT

APC
CFO
FE
PE
RD
RTK

- No shelf
- Not drilled for adjustable shelf

**Vanity Drawer Base**

3 Drawers • 31 1/8" High



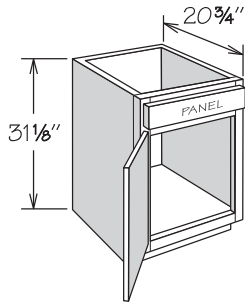
VDB12  
VDB15  
VDB18  
VDB21  
VDB24

APC
CFO
FE
PE
RD
RTK

- One large and two standard drawers

**Vanity Sink Base**

1 Door, 1 Panel • 31<sup>1</sup>/<sub>8</sub>" High



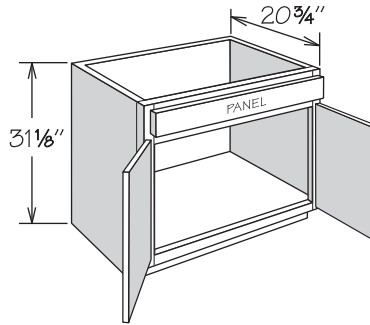
VSB15  
VSB18  
VSB21

APC
CFO
FE
PE
RD
RTK

- No shelf
- Subtract 1<sup>1</sup>/<sub>2</sub>" from depth and width for available sink bowl opening

**Vanity Sink Base**

2 Butt Doors, 1 Panel • 31<sup>1</sup>/<sub>8</sub>" High



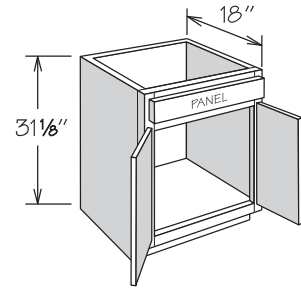
VSB24 BUTT  
VSB27 BUTT  
VSB30 BUTT  
VSB33 BUTT  
VSB36 BUTT

APC
CFO
FE
PE
RD
RTK

- No shelf
- Subtract 1<sup>1</sup>/<sub>2</sub>" from depth and width for available sink bowl opening

**Vanity Sink Base - 18" Deep**

2 Butt Doors, 1 Panel • 31<sup>1</sup>/<sub>8</sub>" High



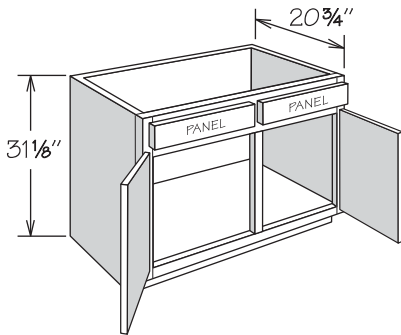
VSB2418 BUTT  
VSB3018 BUTT  
VSB3618 BUTT

APC
CFO
FE
PE
RD
RTK

- No shelf
- Subtract 1<sup>1</sup>/<sub>2</sub>" from depth and width for available sink bowl opening

**Vanity Sink Base**

2 Doors, 2 Panels • 31<sup>1</sup>/<sub>8</sub>" High



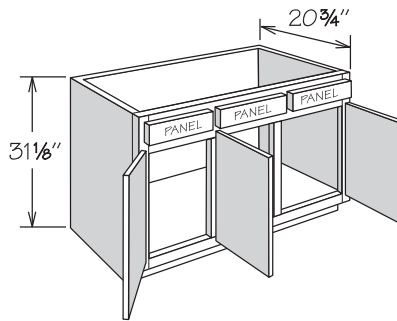
VSB39  
VSB42

APC
CFO
FE
PE
RD
RTK

- No shelf
- Subtract 1<sup>1</sup>/<sub>2</sub>" from depth and width for available sink bowl opening

**Vanity Sink Base**

3 Doors, 3 Panels • 31<sup>1</sup>/<sub>8</sub>" High



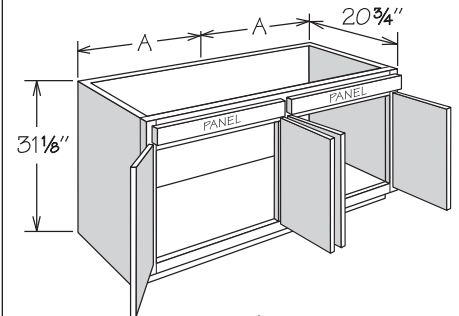
VSB48

APC
CFO
FE
PE
RD
RTK

- No shelf
- Subtract 1<sup>1</sup>/<sub>2</sub>" from depth and width for available sink bowl opening
- Hinged as shown - center door may be reversed in field

**Vanity Sink Base**

4 Butt Doors, 2 Panels • 31<sup>1</sup>/<sub>8</sub>" High



A	
VSB54 BUTT	27"
VSB60 BUTT	30"

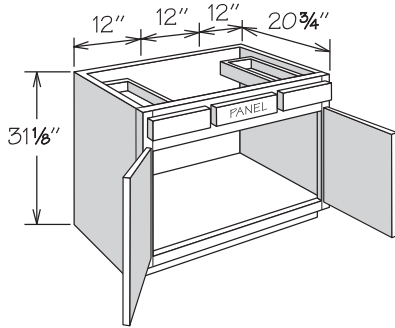
VSB54 BUTT  
VSB60 BUTT

APC
CFO
FE
PE
RD
RTK

- No shelf
- Subtract 1<sup>1</sup>/<sub>2</sub>" from depth and dimension A for available sink bowl openings

**Vanity Sink Base**

2 Butt Doors, 2 Drawers • 31<sup>1</sup>/<sub>8</sub>" High



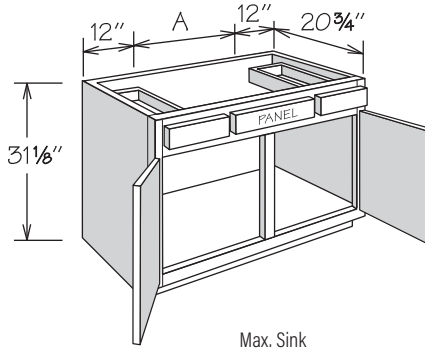
VAN36 BUTT

APC
CFO
FE
PE
RD
RTK

- No shelf
- Top drawer on each side of sink bowl opening
- Subtract 1<sup>1</sup>/<sub>2</sub>" from depth for available sink bowl opening
- Maximum sink opening is 18"

**Vanity Sink Base**

2 Doors, 2 Drawers • 31<sup>1</sup>/<sub>8</sub>" High



	A	Max. Sink Opening
VAN39	15"	18"
VAN42	18"	21"

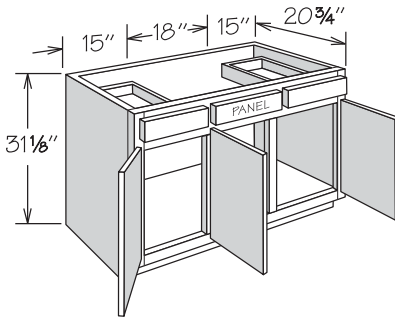
VAN39  
VAN42

APC
CFO
FE
PE
RD
RTK

- No shelf
- Top drawer on each side of sink bowl opening
- Subtract 1<sup>1</sup>/<sub>2</sub>" from depth for available sink bowl opening

**Vanity Sink Base**

3 Doors, 2 Drawers • 31<sup>1</sup>/<sub>8</sub>" High



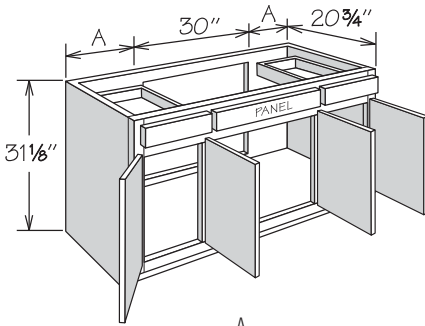
VAN48

APC
CFO
FE
PE
RD
RTK

- No shelf
- Top drawer on each side of sink bowl opening
- Subtract 1<sup>1</sup>/<sub>2</sub>" from depth for available sink bowl opening
- Hinged as shown - center door may be reversed in field
- Maximum sink opening is 21"

**Vanity Sink Base**

4 Doors, 2 Drawers • 31<sup>1</sup>/<sub>8</sub>" High



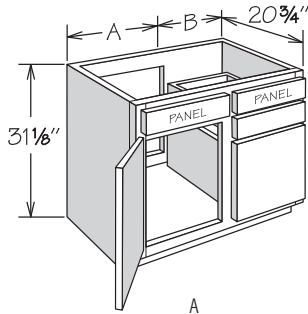
	A
VAN54 BUTT	12"
VAN60 BUTT	15"

VAN54 BUTT  
VAN60 BUTT

APC
CFO
FE
PE
RD
RTK

- No shelf
- Features Butt doors at sink bowl opening
- Top drawer on each side of sink bowl opening
- Subtract 1<sup>1</sup>/<sub>2</sub>" from depth for available sink bowl opening
- Maximum sink opening is 33"
- Open area for plumbing access

**Vanity Combo Sink Base**  
1 Door, 2 Drawers • 31 1/8" High

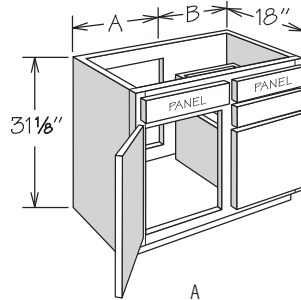


	A	B
VSDB24	12"	12"
VSDB27	15"	12"
VSDB30	18"	12"
VSDB33	21"	12"
VSDB36	21"	15"

VSDB24	VSDB33	APC
VSDB27	VSDB36	CFO
VSDB30		FE
		PE
		RD
		RTK

- No shelf
- Open area for plumbing access
- Allow for plumbing placement to clear drawers
- Drawers available on right or left side (please specify)
- Cabinet shown is right indicating drawers on the right side of the cabinet
- Subtract 1 1/2" from depth and overall cabinet width for available sink bowl opening

**Vanity Combo Sink Base 18" Deep**  
1 Door, 2 Drawers • 31 1/8" High

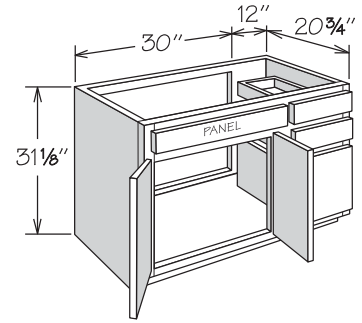


	A	B
VSDB2418	12"	12"
VSDB2718	15"	12"
VSDB3018	18"	12"
VSDB3318	21"	12"
VSDB3618	21"	15"

VSDB2418	VSDB3318	APC
VSDB2718	VSDB3618	CFO
VSDB3018		FE
		PE
		RD
		RTK

- No shelf
- Open area for plumbing access
- Allow for plumbing placement to clear drawers
- Drawers available on right or left side (please specify)
- Cabinet shown is right indicating drawers on the right side of the cabinet
- Subtract 1 1/2" from depth and overall cabinet width for available sink bowl opening

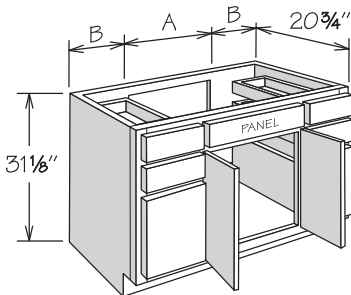
**Vanity Combo Sink Base**  
2 Butt Doors, 3 Drawers • 31 1/8" High



VSDB42 BUTT	APC
	CFO
	FE
	PE
	RD
	RTK

- No shelf
- Open area for plumbing access
- Allow for plumbing placement to clear drawers
- Drawers available on right or left side (please specify)
- Cabinet shown is right indicating drawers on the right side of the cabinet
- Subtract 1 1/2" from depth and 30" dimension for available sink bowl opening
- Requires off-center sink bowl opening

**Vanity Combo Sink Base**  
2 Butt Doors, 6 Drawers • 31 1/8" High

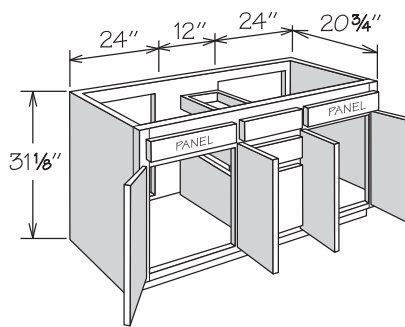


	A	B
VSDB48D BUTT	24"	12"
VSDB54D BUTT	24"	15"
VSDB60D BUTT	30"	15"

VSDB48D BUTT	APC
VSDB54D BUTT	CFO
VSDB60D BUTT	FE
	PE
	RD
	RTK

- No shelf
- Open area for plumbing access
- Subtract 1 1/2" from depth and dimension A for available sink bowl opening

**Vanity Combo Sink Base**  
4 Butt Doors, 3 Drawers • 31 1/8" High

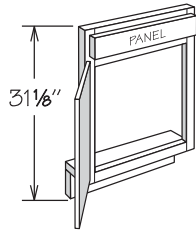


VSDB60C BUTT	APC
	CFO
	FE
	PE
	RD
	RTK

- No shelf
- Open area for plumbing access
- Subtract 1 1/2" from depth and each 24" dimension for available sink bowl openings

**Vanity Sink Front**

1 Door, 1 Panel • 31 1/8" High

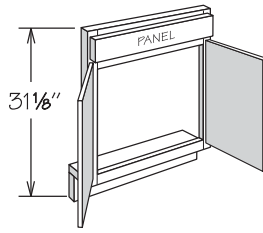


VSF21

- Vanity Sink Front not trimmable
- Order floors and returns separately (trimming may be required) – refer to Panel Section for availability

**Vanity Sink Front**

2 Butt Doors, 1 Panel • 31 1/8" High

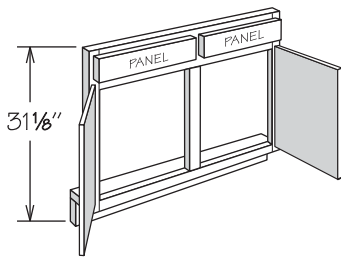


VSF24 BUTT  
VSF30 BUTT  
VSF36 BUTT

- Vanity Sink Front not trimmable
- Order floors and returns separately (trimming may be required) – refer to Panel Section for availability

**Vanity Sink Front**

2 Doors, 2 Panels • 31 1/8" High

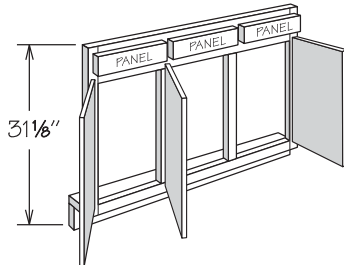


VSF39  
VSF42

- Vanity Sink Front not trimmable
- Order floors and returns separately (trimming may be required) – refer to Panel Section for availability

**Vanity Sink Front**

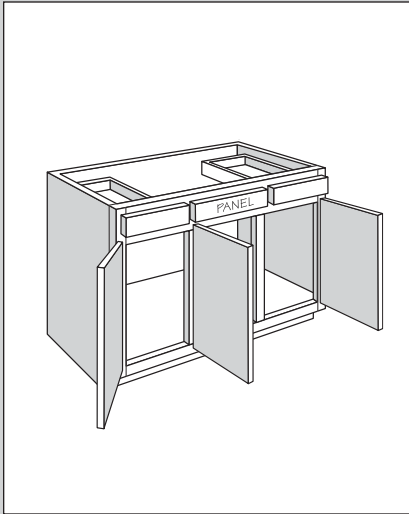
3 Doors, 3 Panels • 31 1/8" High



VSF48

- Vanity Sink Front not trimmable
- Hinged as shown – center door may be reversed in field
- Order floors and returns separately (trimming may be required) – refer to Panel Section for availability

**34½" Base Height  
Vanity Cabinets**



Base Height Vanity cabinets are 34½" high, 12" to 60" wide and 18" or 20¾" deep.

Single door Base Height Vanity cabinets are hinged left and can be reversed in the field.

Inset toe kick construction requires BTK8 matching toe kick - must be ordered separately.

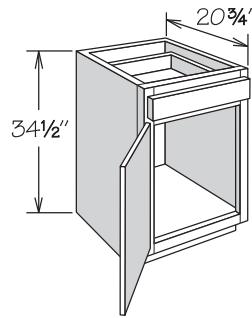


Check sink manufacturer's specifications for adequate clearance and required installation materials.

When placing a Base Height Vanity Sink Base cabinet in a design, select a cabinet at least 3" wider than the sink to allow for installation clips. Review manufacturer's specifications for dimensions and adequate clearance requirements.

**Vanity Base**

1 Door, 1 Drawer • 34½" High

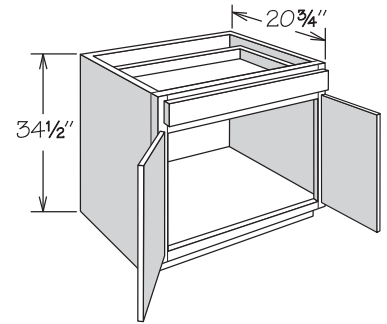


VB1234H	APC
VB1534H	CFO
VB1834H	FE
VB2134H	PE
	RD
	RTK

- No shelf
- Not drilled for adjustable shelf

**Vanity Base**

2 Butt Doors, 1 Drawer • 34½" High

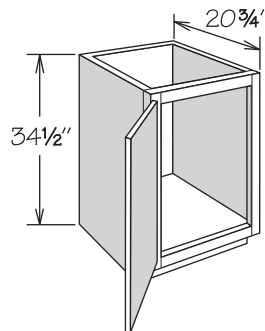


VB2434H BUTT	APC
VB2734H BUTT	CFO
VB3034H BUTT	FE
VB3334H BUTT	PE
VB3634H BUTT	RD
	RTK

- No shelf
- Not drilled for adjustable shelf

**Vanity Base**

1 Full-Height Door • 34½" High

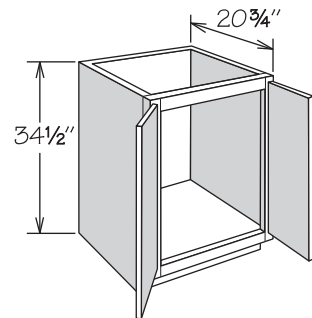


VB1234H FH	APC
VB1534H FH	CFO
VB1834H FH	FE
VB2134H FH	PE
	RD
	RTK

- Full-height door
- No shelf
- Not drilled for adjustable shelf

**Vanity Base**

2 Full-Height Butt Doors • 34½" High

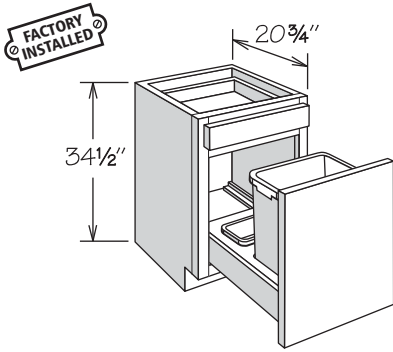


VB2434H BUTT FH	APC
VB3034H BUTT FH	CFO
VB3634H BUTT FH	FE
	PE
	RD
	RTK

- Full-height doors
- No shelf
- Not drilled for adjustable shelf

**Vanity Wastebasket**

1 Bottom Mount Wastebasket • 34½" High



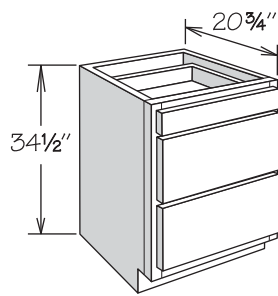
VWBB1834H

APC
FE
PE
RTK

- Features one silver plastic 35-quart capacity bin
- Wastebasket rests in a natural finish wood frame
- Includes bag storage tray at rear
- Decorative hardware strongly recommended
- Storage tray NOT dishwasher safe
- Features heavy-duty 132-pound rated glides

**Vanity Drawer Base**

3 Drawers • 34½" High



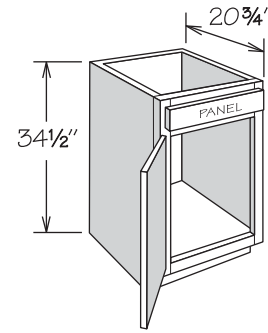
VDB1234H  
VDB1534H  
VDB1834H  
VDB2134H  
VDB2434H

APC
CFO
FE
PE
RD
RTK

- One standard and two large drawers

**Vanity Sink Base**

1 Door, 1 Panel • 34½" High



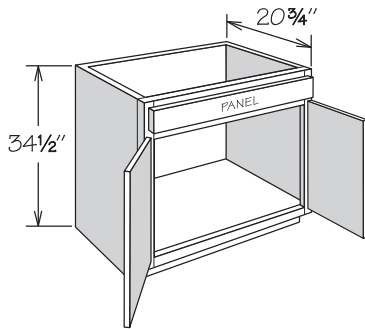
VSB1534H  
VSB1834H  
VSB2134H

APC
CFO
FE
PE
RD
RTK

- No shelf
- Subtract 1½" from depth and width for available sink bowl opening

**Vanity Sink Base**

2 Butt Doors, 1 Panel • 34½" High



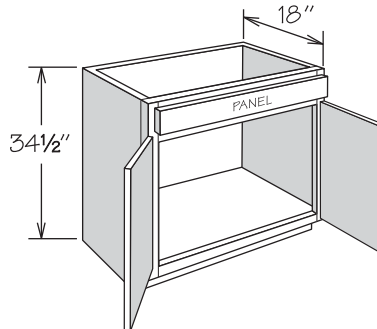
VSB2434H BUTT  
VSB2734H BUTT  
VSB3034H BUTT  
VSB3334H BUTT  
VSB3634H BUTT

APC
CFO
FE
PE
RD
RTK

- No shelf
- Subtract 1½" from depth and width for available sink bowl opening

**Vanity Sink Base - 18" Deep**

2 Butt Doors, 1 Panel • 34½" High



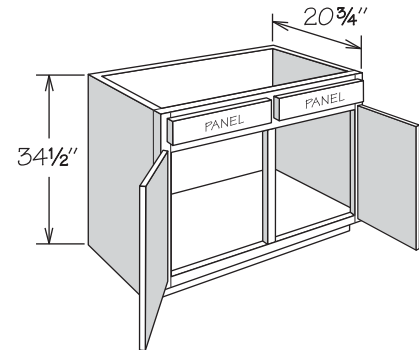
VSB241834H BUTT  
VSB301834H BUTT  
VSB361834H BUTT

APC
CFO
FE
PE
RD
RTK

- No shelf
- Subtract 1½" from depth and width for available sink bowl opening

**Vanity Sink Base**

2 Doors, 2 Panels • 34½" High



VSB3934H  
VSB4234H

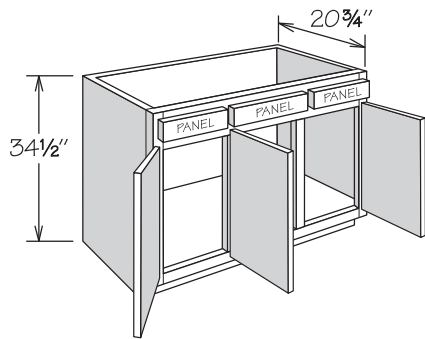
APC
CFO
FE
PE
RD
RTK

- No shelf
- Subtract 1½" from depth and width for available sink bowl opening



**Vanity Sink Base**

3 Doors, 3 Panels • 34½" High



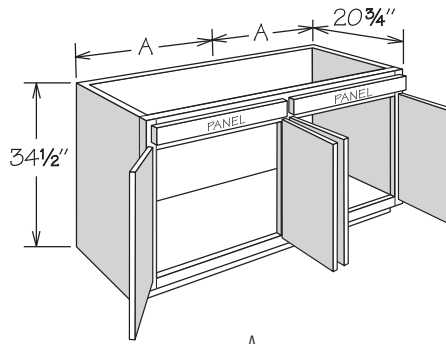
VSB4834H

APC
CFO
FE
PE
RD
RTK

- No shelf
- Subtract 1½" from depth and width for available sink bowl opening
- Hinged as shown - center door may be reversed in field

**Vanity Sink Base**

4 Butt Doors, 2 Panels • 34½" High



VSB5434H BUTT	27"
VSB6034H BUTT	30"

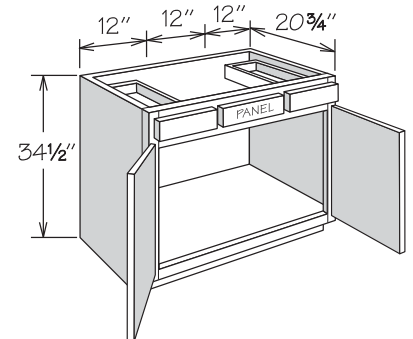
VSB5434H BUTT  
VSB6034H BUTT

APC
CFO
FE
PE
RD
RTK

- No shelf
- Subtract 1½" from depth and dimension A for available sink bowl openings

**Vanity Sink Base**

2 Butt Doors, 2 Drawers • 34½" High



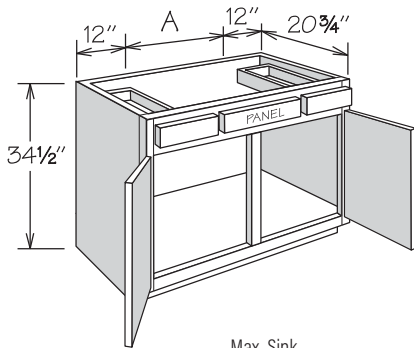
VAN3634H BUTT

APC
CFO
FE
PE
RD
RTK

- No shelf
- Top drawer on each side of sink bowl opening
- Subtract 1½" from depth for available sink bowl opening
- Maximum sink opening is 18"

**Vanity Sink Base**

2 Doors, 2 Drawers • 34½" High



	A	Max. Sink Opening
VAN3934H	15"	18"
VAN4234H	18"	21"

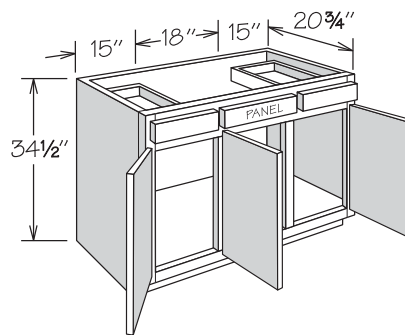
VAN3934H  
VAN4234H

APC
CFO
FE
PE
RD
RTK

- No shelf
- Top drawer on each side of sink bowl opening
- Subtract 1½" from depth for available sink bowl opening

**Vanity Sink Base**

3 Doors, 2 Drawers • 34½" High



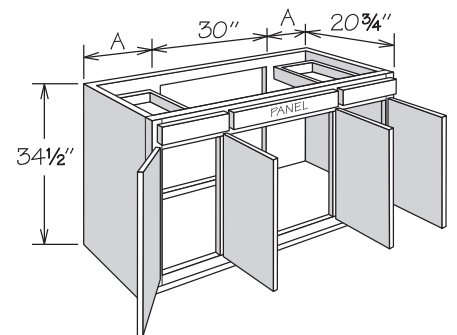
VAN4834H

APC
CFO
FE
PE
RD
RTK

- No shelf
- Top drawer on each side of sink bowl opening
- Subtract 1½" from depth for available sink bowl opening
- Maximum sink opening is 21"
- Hinged as shown - center door may be reversed in field

**Vanity Sink Base**

4 Doors, 2 Drawers • 34½" High



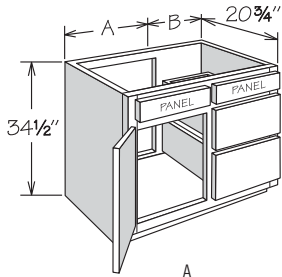
	A
VAN5434H BUTT	12"
VAN6034H BUTT	15"

VAN5434H BUTT  
VAN6034H BUTT

APC
CFO
FE
PE
RD
RTK

- Features Butt doors at sink bowl opening
- No shelf
- Top drawer on each side of sink bowl opening
- Subtract 1½" from depth for available sink bowl opening
- Maximum sink opening is 33"
- Open area for plumbing access

**Vanity Combo Sink Base**  
1 Door, 2 Drawers • 34½" High

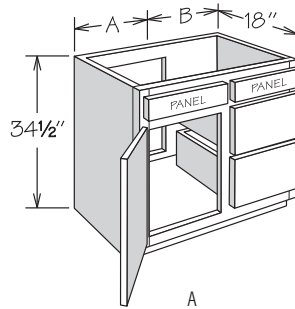


	A	B
VSDB2434H	12"	12"
VSDB2734H	15"	12"
VSDB3034H	18"	12"
VSDB3334H	21"	12"
VSDB3634H	21"	15"
VSDB3934H	21"	18"

VSDB2434H	APC
VSDB2734H	CFO
VSDB3034H	FE
VSDB3334H	PE
VSDB3634H	RD
VSDB3934H	RTK

- No shelf
- Open area for plumbing access
- Allow for plumbing placement to clear drawers
- Drawers available on right or left side (please specify)
- Cabinet shown is right indicating drawers on the right side of the cabinet
- Subtract 1½" from depth and overall cabinet width for available sink bowl opening

**Vanity Combo Sink Base 18" Deep**  
1 Door, 2 Drawers • 34½" High

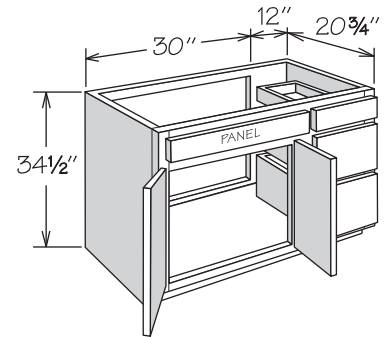


	A	B
VSDB241834H	12"	12"
VSDB271834H	15"	12"
VSDB301834H	18"	12"
VSDB331834H	21"	12"
VSDB361834H	21"	15"

VSDB241834H	APC
VSDB271834H	CFO
VSDB301834H	FE
VSDB331834H	PE
VSDB361834H	RD
VSDB361834H	RTK

- No shelf
- Open area for plumbing access
- Allow for plumbing placement to clear drawers
- Drawers available on right or left side (please specify)
- Cabinet shown is right indicating drawers on the right side of the cabinet
- Subtract 1½" from depth and overall cabinet width for available sink bowl opening

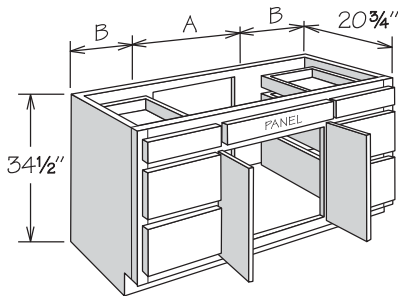
**Vanity Combo Sink Base**  
2 Butt Doors, 3 Drawers • 34½" High



VSDB4234H BUTT	APC
	CFO
	FE
	PE
	RD
	RTK

- No shelf
- Open area for plumbing access
- Allow for plumbing placement to clear drawers
- Drawers available on right or left side (please specify)
- Cabinet shown is right indicating drawers on the right side of the cabinet
- Subtract 1½" from depth and 30" dimension for available sink bowl opening
- Requires off-center sink bowl opening

**Vanity Combo Sink Base**  
2 Butt Doors, 6 Drawers • 34½" High

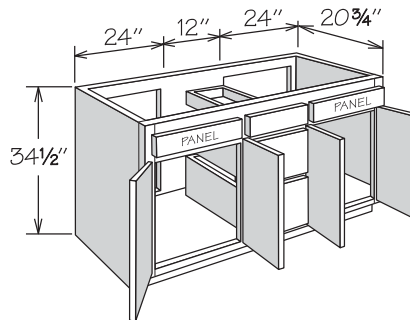


	A	B
VSDB4834HD BUTT	24"	12"
VSDB5434HD BUTT	24"	15"
VSDB6034HD BUTT	30"	15"

VSDB4834HD BUTT	APC
VSDB5434HD BUTT	CFO
VSDB6034HD BUTT	FE
	PE
	RD
	RTK

- No shelf
- Open area for plumbing access
- Subtract 1½" from depth and dimension A for available sink bowl opening

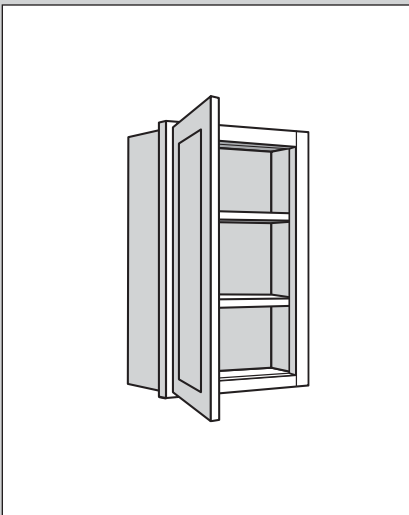
**Vanity Combo Sink Base**  
4 Butt Doors, 3 Drawers • 34½" High



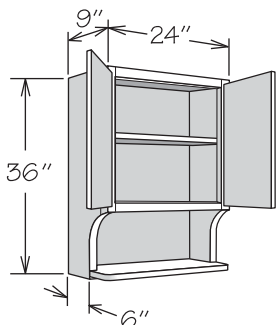
VSDB6034HC BUTT	APC
	CFO
	FE
	PE
	RD
	RTK

- No shelf
- Open area for plumbing access
- Subtract 1½" from depth and each 24" dimension for available sink bowl openings

Specialty Vanity Cabinets



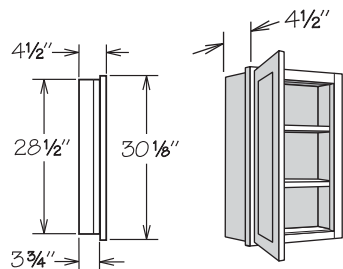
**Valet Cabinet**  
2 Butt Doors



VC2436 BUTT

- Matching Interior standard
- Flush sides
- Bottom opening: 22½" x 10⅞"
- Features a fixed shelf
- Sides and bottom shelf feature ¼" engineered wood veneered on both sides
- For Duraform door styles, only the doors will be Duraform, all other finished surfaces will match cabinet box exterior

**Medicine Cabinet**

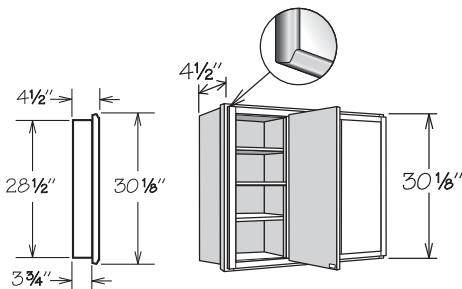


	Overall Width	Overall Height	Cut Out Width Recess Mount	Cut Out Height Recess Mount
MC1530	15"	30 ⅛"	14 ½"	28 ½"
MCM1530	15"	30 ⅛"	14 ½"	28 ½"

MC1530  
MCM1530

- Two adjustable engineered wood shelves
- Surface or recess mount
- MCM1530 features a mirrored door
- For surface mount installation of wood door styles, trim and apply WEP30 to match finish on exterior sides to cabinet frame – order separately
- Breeze, Pewter Glaze and Linen (Duraform and Painted) door styles feature Matching Interior standard

**Tri-View Mirror**

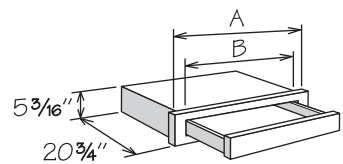


	Overall Width	Overall Height	Cut Out Width Recess Mount	Cut Out Height Recess Mount
TV3030	30"	30 ⅛"	28 ½"	28 ½"
TV3630	36"	30 ⅛"	34 ½"	28 ½"

TV3030  
TV3630

- All three mirrored doors swing open for easy access to the six adjustable shelves
- Surface or recess mount
- For surface mount installation of wood door styles, trim and apply WEP30 to match finish on exterior sides to cabinet frame – order separately
- Breeze, Pewter Glaze and Linen (Duraform and Painted) door styles feature Matching Interior standard
- Chrome hardware

**Kneehole Drawer Cabinet**



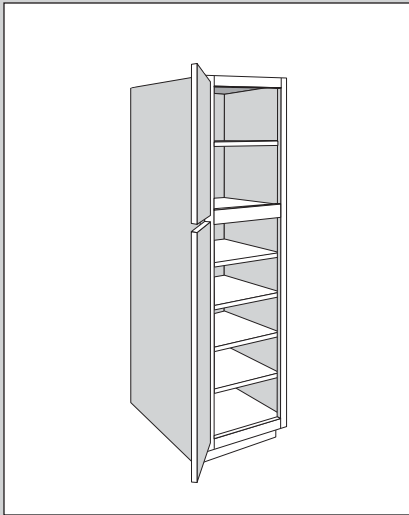
	A	B	Max. Trim
KDC27/21	27"	17¾"	21" (3" each side)
KDC33/27	33"	23¾"	27" (3" each side)
KDC36/33	36"	29¾"	33" (1½" each side)

KDC27/21  
KDC33/27  
KDC36/33

RD

- Designed for Desk or Vanity application
- Drawer front complements door style
- Field trimmable in height to 4¼"
- Field trimmable in depth to 18" or available with RD-20 through RD-12

**Vanity Linen Cabinets**



Vanity Linen cabinets range in size from 12" to 24" wide, are 84" high and 20 3/4" deep.

Single door Vanity Linen cabinets are hinged left or right and can be reversed in the field.

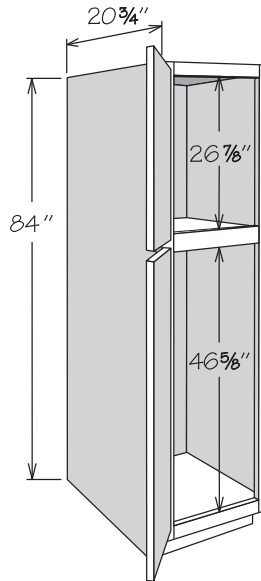
All Vanity Linen cabinet bottom doors will have a center rail with the exception of all Irvington, Sydney, Warren, Warren w/ DFO and Duraform door styles.

Inset toe kick construction requires BTK8 matching toe kick - must be ordered separately.

See page 45 for Ceiling Height Requirements information.

**Vanity Linen Cabinet**

**2 Doors  
No Shelves**



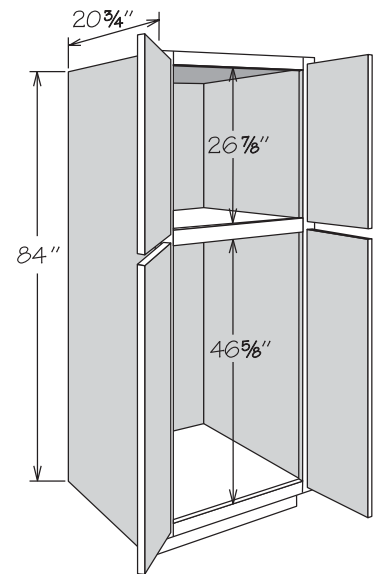
- VLC122184
- VLC152184
- VLC182184
- VLC122184 SD
- VLC152184 SD
- VLC182184 SD

APC
CFO
FE
■ MI
PE
RD

- Shelving and optional interior accessories may be ordered separately - refer to Vanity Linen Accessories for details
- Cabinet backs are pre-drilled to accept up to four Deep Roll Out Trays in lower section

**Vanity Linen Cabinet**

**4 Butt Doors  
No Shelves**

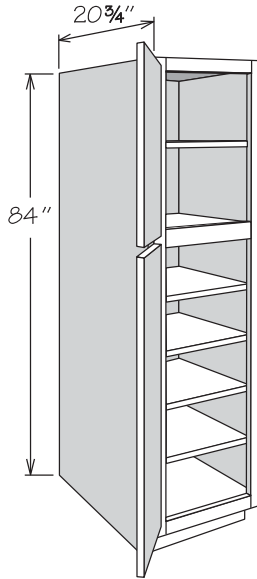


- VLC242184 BUTT
- VLC242184 BUTT SD

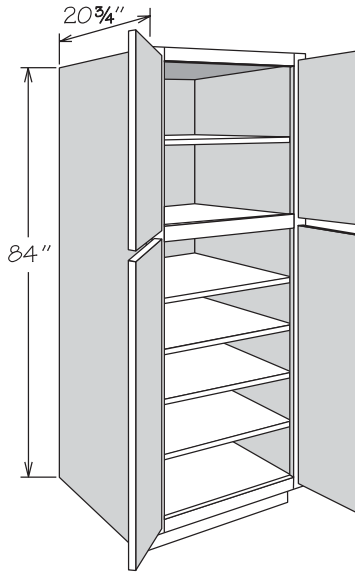
APC
CFO
FE
■ MI
PE
RD

- Shelving and optional interior accessories may be ordered separately - refer to Vanity Linen Accessories for details
- Cabinet backs are pre-drilled to accept up to four Deep Roll Out Trays in lower section

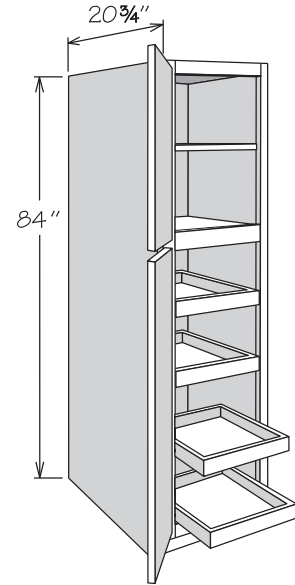
**Vanity Linen Cabinet**  
2 Doors with Adjustable Shelves



**Vanity Linen Cabinet**  
4 Butt Doors with Adjustable Shelves



**Vanity Linen Cabinet**  
2 Doors with Deep Roll Out Trays



- VLC122184 AS
- VLC152184 AS
- VLC182184 AS

VLC122184 AS SD  
VLC152184 AS SD  
VLC182184 AS SD

APC
FE
■ MI
PE
RD

- Features one full-depth adjustable shelf in top section and four full-depth shelves in lower section
- Full-depth adjustable shelves are 3/4" engineered wood and edge banded on front edge only
- Adjustable shelves packaged separately for field installation

- VLC242184 AS BUTT
- VLC242184 AS BUTT SD

APC
FE
■ MI
PE
RD

- Features one full-depth adjustable shelf in top section and four full-depth shelves in lower section
- Full-depth adjustable shelves are 3/4" engineered wood and edge banded on front edge only
- Adjustable shelves packaged separately for field installation

- VLC122184 4ROT
- VLC152184 4ROT
- VLC182184 4ROT

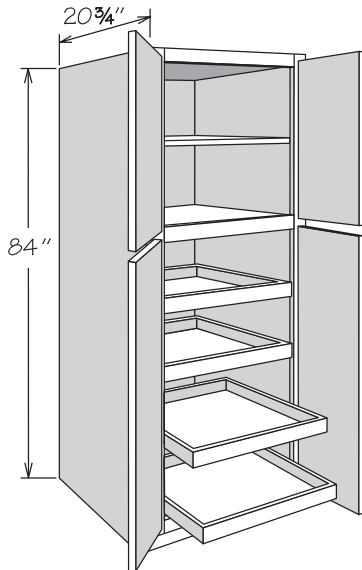
VLC122184 4ROT SD  
VLC152184 4ROT SD  
VLC182184 4ROT SD

APC
FE
■ MI
PE
RD

- Features one full-depth adjustable shelf in top section and four Deep Roll Out Trays in lower section
- Full-depth adjustable shelf is 3/4" engineered wood and edge banded on front edge only
- Adjustable shelf and Deep Roll Out Trays packaged separately for field installation

**Vanity Linen Cabinet**

4 Butt Doors with Deep Roll Out Trays



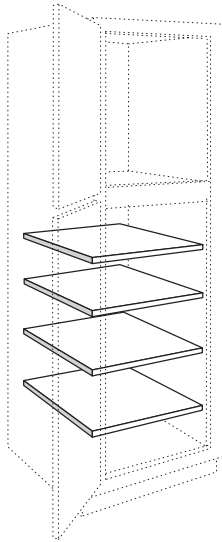
- VLC242184 4ROT BUTT
- VLC242184 4ROT BUTT SD

APC
FE
■ MI
PE
RD

- Features one full-depth adjustable shelf in top section and four Deep Roll Out Trays in lower section
- Full-depth adjustable shelf is 3/4" engineered wood and edge banded on front edge only
- Adjustable shelf and Deep Roll Out Trays packaged separately for field installation

**Vanity Linen Cabinet**

Adjustable Shelf or 4 Pack Shelf Kit



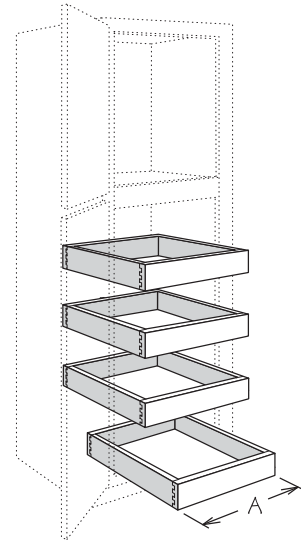
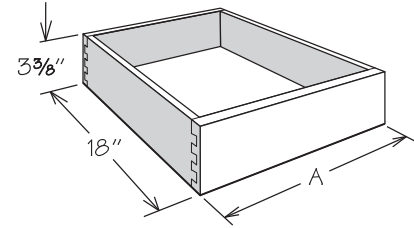
- Adjustable Shelf
- S1221
- S1521
- S1821
- S2421
- 4 Pack Shelf Kit
- SK1221
- SK1521
- SK1821
- SK2421

APC
MI
RD

- Field installation accessory
- 3/4" engineered wood in natural finish
- Edge banded on front edge only
- CLIP LOCK shelf rests included

**Vanity Linen Cabinet**

Deep Roll Out Tray Kit or  
4 Pack Deep Roll Out Tray Kit



	A
DROT1221	7 3/4"
DROT1521	10 3/4"
DROT1821	13 3/4"
DROT2421	19 3/4"

- Deep Roll Out Tray Kit
- DROT1221
- DROT1521
- DROT1821
- DROT2421

- 4 Pack Deep Roll Out Tray Kit
- DROT1221-4K
- DROT1521-4K
- DROT1821-4K
- DROT2421-4K

RD
----

- Field installation accessory
- Natural finish dovetail drawer with engineered wood bottom
- Includes Deep Roll Out Tray, all glide hardware and installation instructions