

THESE INSTRUCTIONS SHOULD ONLY BE PRINTED USING ADOBE ACROBAT AND SHOULD NOT BE FAXED OR REPRODUCED ON A DIGITAL COPIER. AMERICAN WOODMARK CORPORATION PROVIDES THESE INSTRUCTIONS ON AN "AS IS" BASIS AND DISCLAIMS ANY AND ALL LIABILITY FOR ANY INACCURACIES, OMISSIONS OR TYPOGRAPHICAL ERRORS CAUSED BY THE USER'S EQUIPMENT OR BY ANY THIRD PARTY'S EQUIPMENT.

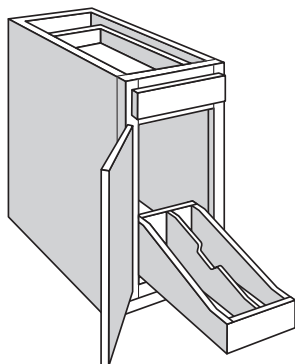
ESTAS INSTRUCCIONES SOLO SE DEBEN IMPRIMIR USANDO ADOBE ACROBAT Y NO SE DEBEN ENVIAR POR FAX NI SE DEBEN REPRODUCIR EN UNA COPIADORA DIGITAL. AMERICAN WOODMARK CORPORATION PROPORCIONA ESTAS INSTRUCCIONES "TAL COMO ESTAN" Y RENUNCIA A CUALQUIER Y A TODA RESPONSABILIDAD POR CUALQUIER FALTA DE PRECISION, OMISION O ERROR TIPOGRAFICO CAUSADO POR EL EQUIPO DEL USUARIO O POR EL EQUIPO DE TERCERAS PERSONAS.

THESE INSTRUCTIONS SHOULD NOT BE FAXED OR REPRODUCED ON A DIGITAL COPIER. AMERICAN WOODMARK CORPORATION PROVIDES THESE INSTRUCTIONS ON AN "AS IS" BASIS AND DISCLAIMS ANY AND ALL LIABILITY FOR ANY INACCURACIES, OMISSIONS OR TYPOGRAPHICAL ERRORS CAUSED BY ANY THIRD PARTY'S EQUIPMENT. When you use these instructions, you are consenting to be bound by the provisions in this paragraph. These instructions provide an illustrative method for installing American Woodmark Corporation ("AWC") cabinets and/or accessories. AWC's instructions are not intended to address every possible contingency that might be encountered during installation or to endorse the use of any particular tools. AWC HEREBY EXPRESSLY DISCLAIMS ALL LIABILITY FOR ANY CLAIMS FOR INJURY OR DEATH RELATED TO OR BASED UPON THE USE OF THESE INSTALLATION INSTRUCTIONS AND ANY INSTALLATION INSTRUCTIONS OTHERWISE PROVIDED BY AWC.

Installation Instructions

Read carefully before you begin installation

ROTD DIVIDER KIT (ROTD12 and ROTD15)



This kit is used to mount Roll Out Tray Dividers into ROTD12 and ROTD15 Drawers.

Contents

- ROTD Divider
- Front Divider Channel
- Rear Divider Channel
- (4) M5 x 15 Screws Wood Screws

Tools Needed

- Phillips Screwdriver
- Safety Glasses

Procedure

- 1** Remove the ROTD Drawer from the cabinet if necessary.
- 2** Align the Front and Rear Channels over the pre-drilled holes located in the front and back of the Roll Out Tray Divider Drawer as shown in Figure 1.
- 3** Secure Channels with (2) M5 x 15 Screws into each Channel. Be sure not to over tighten the screws to prevent the screws from stripping.
- 4** Slide the ROTD Divider into place as shown in Figure 2.
- 5** Slide the ROTD Drawer into the cabinet. Your ROTD Drawer is now ready for use.

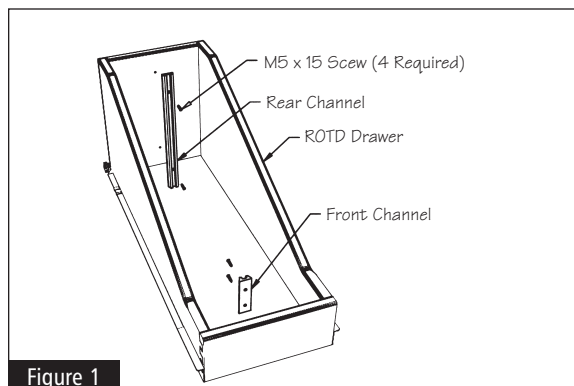


Figure 1

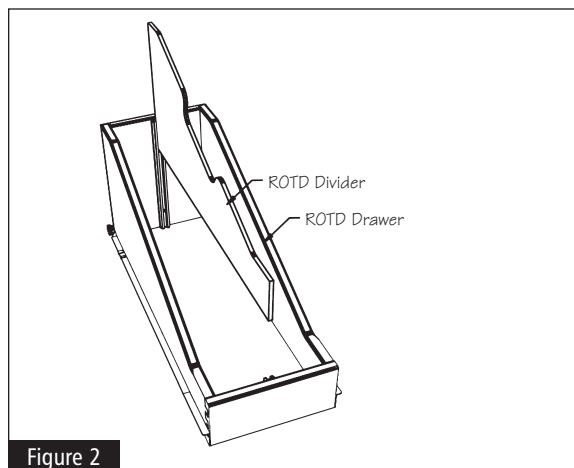


Figure 2

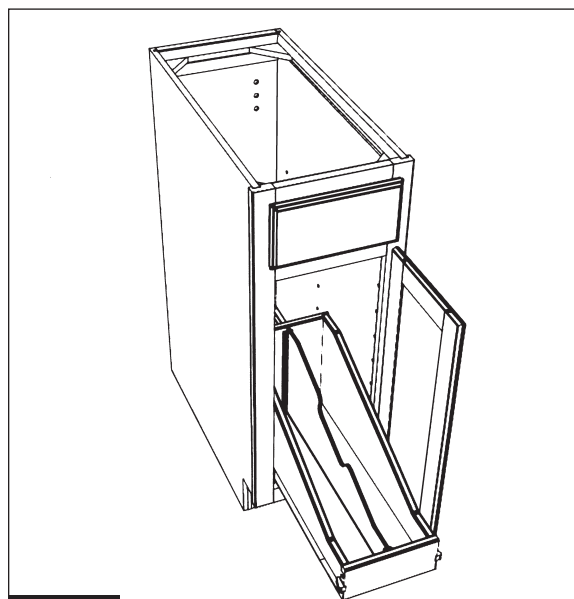
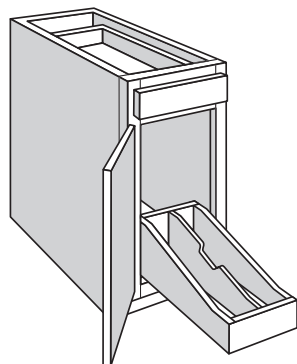


Figure 3

Instrucciones de instalación

Lea con cuidado antes de comenzar la instalación

JUEGO DIVISOR ROTD (ROTD12 y ROTD15)



Este equipo se utiliza para instalar divisores para bandejas de extensión (ROTD) en cajones con ROTD12 y ROTD15.

Contenidos

- Divisor para ROTD
- Canal delantero para el divisor
- Canal trasero para el divisor
- Cuatro tornillos M5 para madera, de 15 pulgadas

Herramientas necesarias

- Destornillador Phillips
- Gafas de seguridad

Procedimiento

- 1** Si es necesario, extraiga el cajón con ROTD del gabinete.
- 2** Alinee los canales delantero y trasero con los agujeros guía ubicados en las partes delantera y trasera del cajón con divisor para bandejas de extensión (como se muestra en la Figura 1).
- 3** Asegure los canales con dos tornillos M5, de 15 pulgadas en cada canal. Asegúrese de no apretar demasiado los tornillos, a fin de evitar que se rompan.
- 4** Deslice el divisor para ROTD en su lugar (como se muestra en la Figura 2).
- 5** Deslice el cajón con ROTD en el gabinete. El cajón con ROTD está listo para usar.

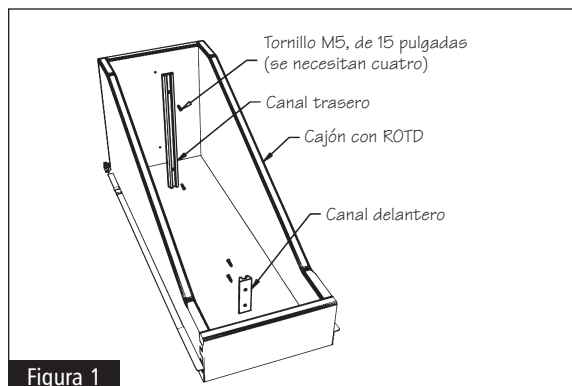


Figura 1

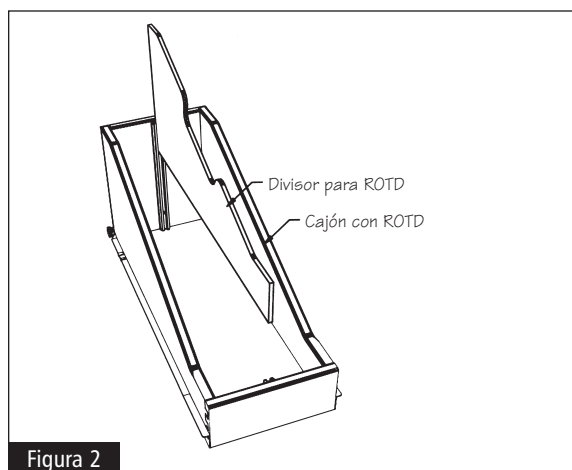


Figura 2

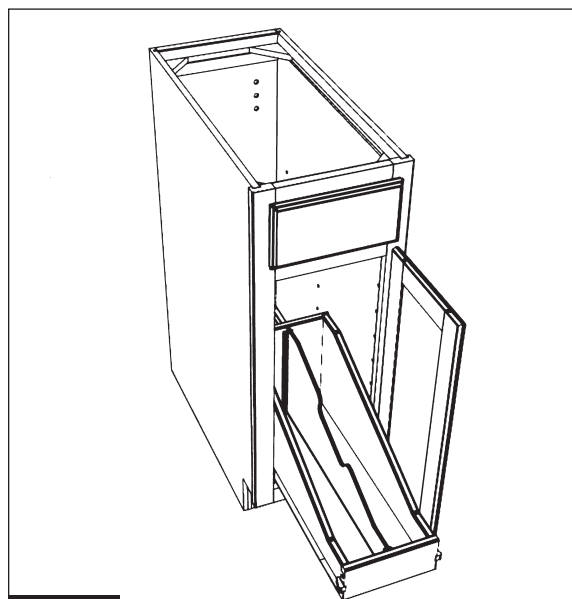


Figura 3